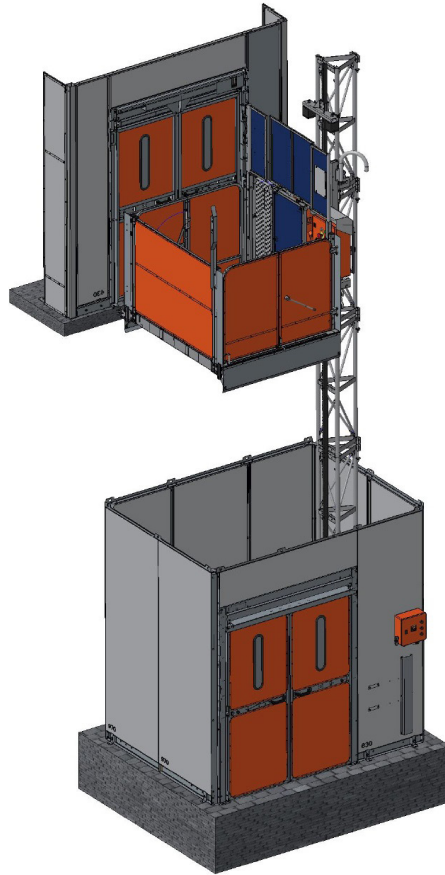


## Material hoist

EN 81-31 COMPLIANT



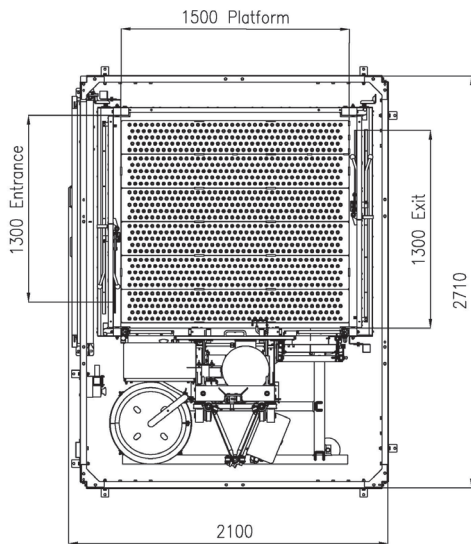
### PL 1000

Payload capacity	1000 kg
Lifting speed	12 m/min
Platform dimensions (WxL)	1.4 m x 1.5 m
Max. lifting height, tied	12 m
Max. tie distance	7.5 m
Max. overhang	3 m
Max. first anchor position	6 m
Power supply	400V 50Hz 3Ph
Rated power	3.8 kW
Rated current	8.4 A
Power consumption	5.5 kVA
Type of mast	Triangular, 350 mm, tubular steel with integrated captive bolts

\* Increased lifting height on request.

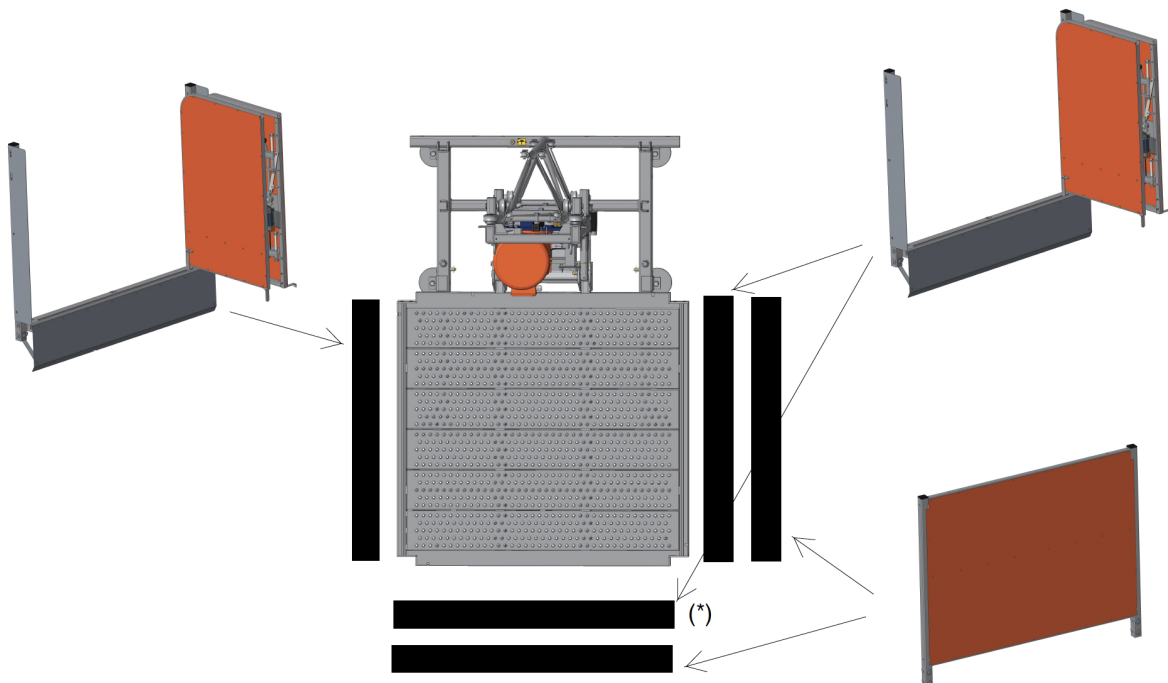
# ALIMAK PL 1000

## MAIN DIMENSION



PL 1000	Weights (kg)
Base Unit	1000
Mast	54
Tie In	43
Cable Guide	4

## DIFFERENT ALTERNATIVE GATE SYSTEM



**(\*) SPECIAL CONFIGURATION**  
**- CONTACT ALIMAK REPRESENTATIVE**

[www.alimak.com](http://www.alimak.com)



Pictures are illustrative only and do not necessarily show the configuration of products on the market at a given point in time. Products must be used in conformity with safe practice and applicable statutes, regulations, codes and ordinances. Specifications of products and equipment shown herein are subject to change without notice. Copyright © 2020 Alimak Group AB. All rights reserved. Alimak and Scando are registered trademarks of Alimak Group AB.